



B I L L T O

Company	P.O.#	Date	S/N	
Completed by	Address			
City	State	Zip	Phone	Fax
Disability	Weight	Height		
Customer Name	Client Signature X			

S H I P T O

Name	Company	Phone
Address	City	State Zip

A M E A S U R E M E N T S

F R A M E

- | | | | | | |
|--|----|-----|---------------------------|--------|------------------------------|
| <input type="checkbox"/> Offensive design (see figure 1) | \$ | std | 4. Front Seat Height | _____" | 15.5" - 21" (w/mini caster) |
| <input type="checkbox"/> Defensive design (see figure 2) | \$ | std | 5. Rear Seat Height | _____" | 12" - 21" (w/24" rear wheel) |
| Other: <input type="checkbox"/> Offensive Wings - W | \$ | 262 | 6. Overall Width | _____" | |
| <input type="checkbox"/> Picking Front End - P | \$ | 262 | 7. Inside Wheel Clearance | _____" | |
| 1. Seat Width 13 14 15 16 17 18 | \$ | std | 8. Backrest Angle | _____" | |
| 2. Seat Depth 12 13 14 15 | \$ | std | 9. Overall Length | _____" | |
| Seat Depth 16 17 18 | \$ | 130 | 10. Center of Gravity | _____" | |

B A C K R E S T

- | | | | | |
|-----------|---|-----------------------|----|-----|
| 3. Height | (Adj. Range) 8 9 10 11 12 | (Adj. Range) 13 14 15 | \$ | std |
| | 16 17 18 | | | |
| Type | Folding w/adj. angle | | \$ | std |
| | <input type="checkbox"/> Locking backrest (w/adjust. angle) | | \$ | 130 |

A X L E P L A T E

- | | | |
|---|----|-----|
| <input type="checkbox"/> One Piece Axle Tube | \$ | std |
| <input type="checkbox"/> Camber Disc 8° 10° 12° 14° 16° | \$ | std |
| Specify Camber (8°-20°) | | |

Base Wheelchair Price \$ 1,996
 Total Section A \$ _____
 Total Section B \$ _____
 Total Section C \$ _____
 Custom Modifications Quoted \$ _____

Order Grand Total \$ _____

Custom Dimensions Available. Contact Colours For Details.

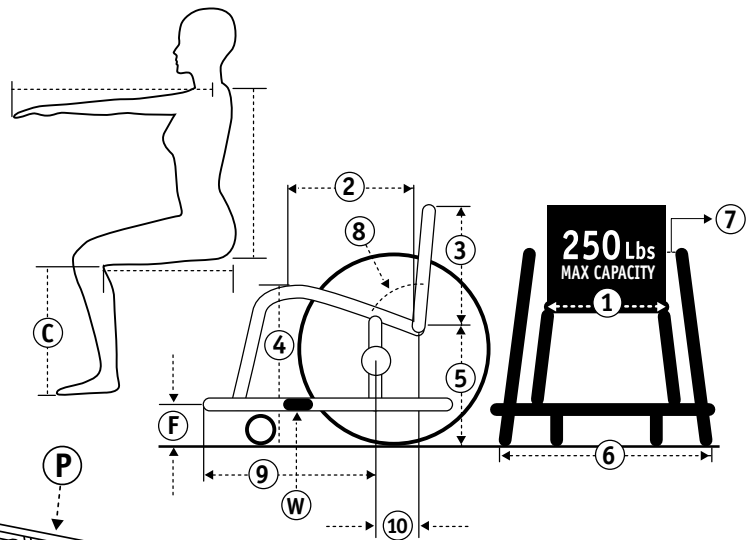


FIGURE 1 Offensive design

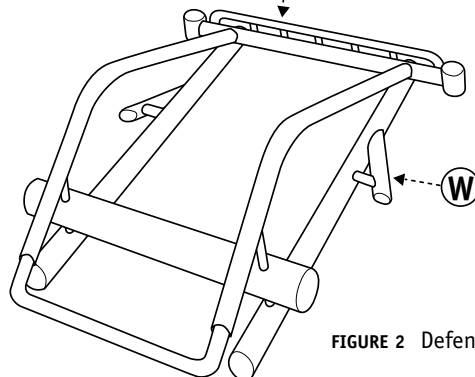
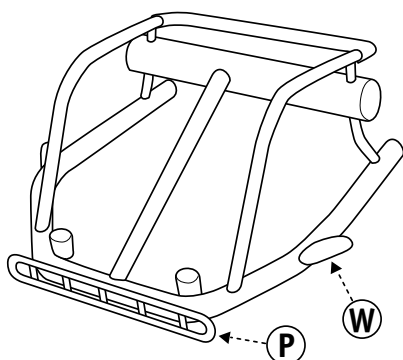


FIGURE 2 Defensive design

A. Cushion Thickness _____"
 C. Lower Leg Length _____"

Note: Wings and picking front end are not included in standard price.

B W H E E L S & T I R E S

<input type="checkbox"/> 24" Alu. Rim / Radial Spoke/Std. Hub/Big-Button Q.R.	Black Wall Hi-Pres. Tire	\$ std
<input type="checkbox"/> 24" Alu. Rim / Radial Spoke/Std. Hub/Big-Button Q.R.	Standard Tire	\$ std
<input type="checkbox"/> 24" Alu. Rim*/Radial Spoke/Hi-Flg. Hub/Big-Button Q.R.	Black Wall Hi-Pres. Tire	\$ 225
<input type="checkbox"/> 25" Alu. Rim*/Radial Spoke/Hi-Flg. Hub/Big-Button Q.R.	Black Wall Hi-Pres. Tire	\$ 236
<input type="checkbox"/> 26" Alu. Rim*/Radial Spoke/Hi-Flg. Hub/Big-Button Q.R.	Black Wall Hi-Pres. Tire	\$ 236
<input type="checkbox"/> Twisters, Super High Strength (<i>Heat Treated</i>) <input type="checkbox"/> 24" <input type="checkbox"/> 25" <input type="checkbox"/> 26"	Black Wall Hi-Pres. Tire	\$ 275

*Heat Treated **Standard Handrims are Black Hard Anodized
 Other Wheel/Tire Combinations Available. Contact Colours For Details **Section B Total** \$ _____

C H A M M E R C O M P O N E N T S & A C C E S S O R I E S

Handrims

<input type="checkbox"/> Standard For 24", 25", or 26" Wheel	<input type="checkbox"/> Anodized Gray	<input type="checkbox"/> Black Powder-Coated (<i>Add \$60</i>)	\$ std
<input type="checkbox"/> Plastic Coated	<input type="checkbox"/> Black		\$ 126
<input type="checkbox"/> Foam Coated	<input type="checkbox"/> Black		\$ 153

Casters

<input type="checkbox"/> Mini Turbo Caster		\$ std
--	--	--------

Push Handles

<input type="checkbox"/> Integrated w/ Fixed Backrest Height		\$ 112
--	--	--------

Seat

<input type="checkbox"/> Foam Cushion w/ Nylon Cover	<input type="checkbox"/> 1" <input type="checkbox"/> 2" <input type="checkbox"/> 3" <input type="checkbox"/> 4"	\$ 69
<input type="checkbox"/> Nylon Bottom w/ Adjustable Tension		\$ std

Miscellaneous

<input type="checkbox"/> Custom Wheelie Bar w/Caster	<input type="checkbox"/> Single style (bolt-on) <input type="checkbox"/> Double style (welded)	\$ 262
<input type="checkbox"/> Rigid Side Guards	Black ABS	\$ 126
<input type="checkbox"/> Rigid Side Guards	Welded Style (no-adjustability) angle _____	\$ 420
<input type="checkbox"/> Fabric Clothing Guards	Black Nylon w/Velcro	\$ 69
<input type="checkbox"/> Frame Protectors	Black Leather w/Sew-On Kit	\$ 69
<input type="checkbox"/> Quad Wheel Quick Release	Flip Up	\$ 85
<input type="checkbox"/> Spoke Protectors	<input type="checkbox"/> 24" <input type="checkbox"/> 25" <input type="checkbox"/> 26" <input type="checkbox"/> Black <input type="checkbox"/> Transparent	\$ 99
<input type="checkbox"/> Quick Release Axles	<input type="checkbox"/> Rear Wheels	\$ std
Calf Strap	Adjustable w/ Velcro	\$ std
<input type="checkbox"/> Seat Belt w/Auto Buckle	Specify Length _____ Inch	\$ 58
<input type="checkbox"/> Positioning straps	<input type="checkbox"/> Velcro one end <input type="checkbox"/> Velcro both ends _____ Length	\$ 76

Frame Colors

<input type="checkbox"/> Standard Colors	<input type="checkbox"/> Gloss Black	<input type="checkbox"/> Candy Blue	<input type="checkbox"/> White	\$ std
	<input type="checkbox"/> Yellow	<input type="checkbox"/> Metallic Gray	<input type="checkbox"/> Twilight Flake	
	<input type="checkbox"/> Candy Purple	<input type="checkbox"/> Candy Green	<input type="checkbox"/> Burgundy	
	<input type="checkbox"/> Navajo Red	<input type="checkbox"/> Fuschia	<input type="checkbox"/> Fire Engine Red	
	<input type="checkbox"/> Forest Green	<input type="checkbox"/> Midnight Blue	<input type="checkbox"/> Midnight Purple	
	<input type="checkbox"/> Magenta	<input type="checkbox"/> Royal Blue	<input type="checkbox"/> Atlantic Blue	
	<input type="checkbox"/> Blue-Green	<input type="checkbox"/> Sea Foam Green	<input type="checkbox"/> Soft Gray Cement	
	<input type="checkbox"/> Gun Smoke Silver	<input type="checkbox"/> Sandstone		
<input type="checkbox"/> Custom Anodized Clouds	<input type="checkbox"/> Green with Blue Clouds	<input type="checkbox"/> Blue with Red Clouds		\$ 325
	<input type="checkbox"/> Blue with Magenta Clouds			
<input type="checkbox"/> Custom Anodized	<input type="checkbox"/> Base Color _____			\$ 325
	<input type="checkbox"/> Graphic #1 _____			
	<input type="checkbox"/> Graphic #2 _____			
<input type="checkbox"/> Custom (P.C.) Powder-Coated	<input type="checkbox"/> Holographic (Black Stars)			\$ 250
	<input type="checkbox"/> Holographic (Emerald Stars)			

Component Colors

Basic Black		\$ std
-------------	--	--------

Upholstery Choice & Color

<input type="checkbox"/> Basic Black		\$ std
<input type="checkbox"/> Custom Colored	<input type="checkbox"/> Red <input type="checkbox"/> Blue	\$ 107
<input type="checkbox"/> Backrest Leather Trim		\$ 67
<input type="checkbox"/> Adjustable Tension Backrest (Available in black only)		\$ 120

Section C Total \$ _____

One good turn deserves another...

Colours in Motion warrants all rigid hardware for the lifetime of its registered owner. (Please see warranty registration card for details.)

